

Tough Computers for Tough Conditions

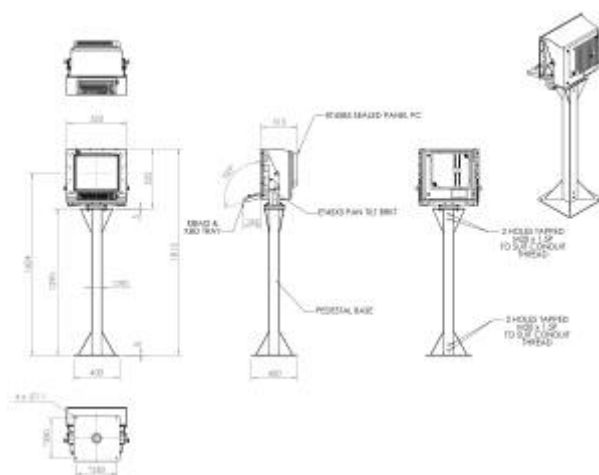
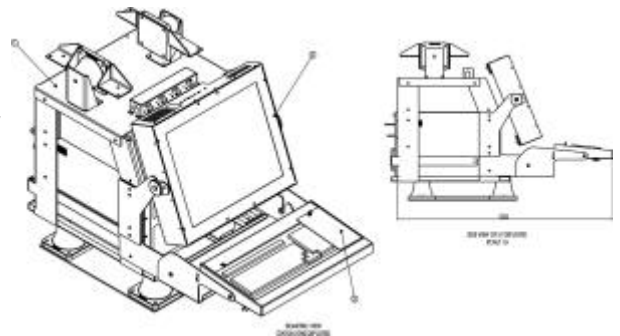
Since 1984 APC Technology has provided specialist computer systems for applications in some of the most severe environments on earth.

APC Technology designs and manufactures state of the art computer/control technology packages for industrial and military clients who have critical applications where failure is not an option.

APC's heritage of engineering excellence is found in new, innovative products that are solving real-life challenges for customers and end-users. Customers from all over the world come to APC Technology when failure in the field is not an option.

TADS Field Deployable console

- Rugged shock and vibration mounted tactical air defence consoles
- Airborne and land deployment missions
- Built to vibration MIL-STD-167
- Built to shock MIL-STD-810E

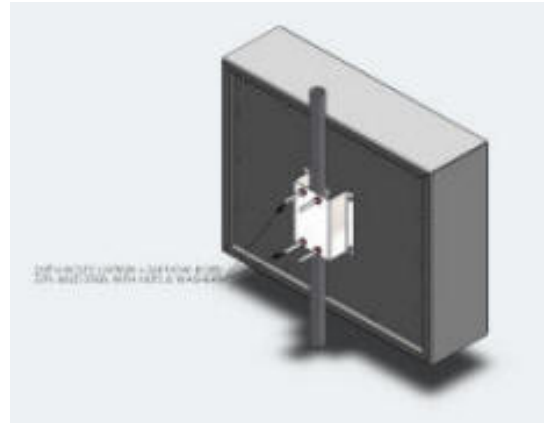


Standalone Heavy Industrial Workstation

- Workstation designed for SCADA operators
- Possible exposure to caustic solutions
- High temperature environments
- 19" stainless steel with keyboard/pedestal arrangement

Mounting Arrangements

- **APC Technology** have developed a range of mounting options to suit your requirements



“We continually liaise with the customer at all stages to ensure that performance requirements are met and that any solution provided by APC remains relevant”

APC Technology Solutions

Real World Solutions

Require a solution to meet your exact requirements?

Utilising our in-house design and engineering resources **APC Technology** is strategically positioned to provide clients with a solution to meet their exact requirements.

Service and Support

APC Technology has established a reputation for supplying products recognised for their reliability and innovation in critical applications. We utilise reputable and proven components and constantly monitor sub-component and sub-system reliability.

To support our customers we provide:

- Technical support, via phone or e-mail
- Australia wide field service
- Return to base exchange
- Hardware and sub-component repair
- Defect analysis and reporting
- Bulletin and internet support
- After Hours Technical Support



For more information about our product range or to discuss a solution specific to your requirements, please Contact Us at sales@apctechnology.com.au or via phone +61 8 8363 0400

With a worldwide sales and trading partner network we are strategically placed to provide you with dedicated solutions and support for all your system requirements.

APC Technology Associations

Tough Computers for Tough Conditions



CONFIDENTIALITY AND COPYRIGHT NOTICE © 2008
This communication is copyright Automation and Process Control Services Pty Ltd (APC Technology). If you believe you have received this communication in error, or do not wish to receive similar communication in the future please unsubscribe using the form at the bottom of this email.